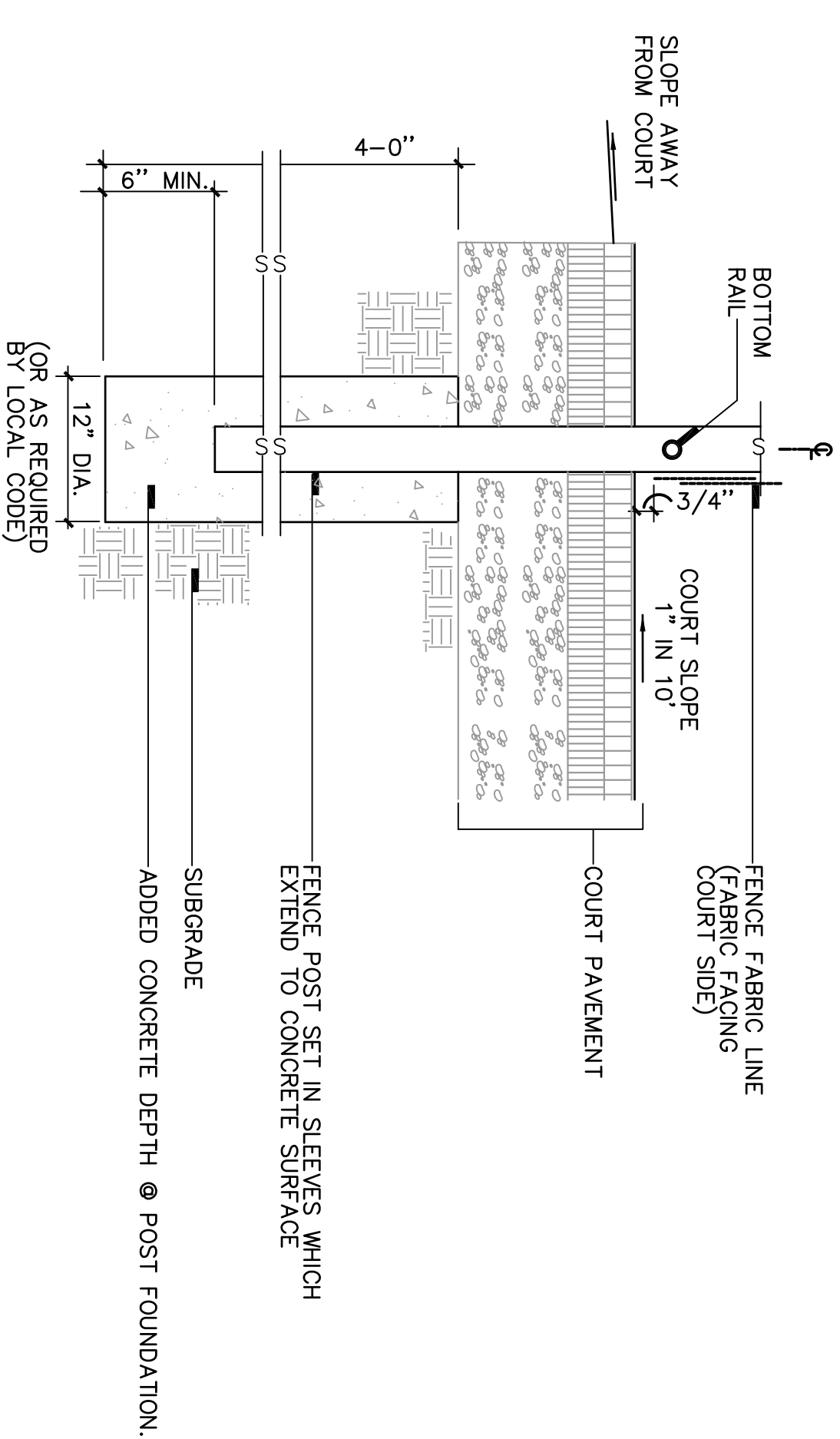
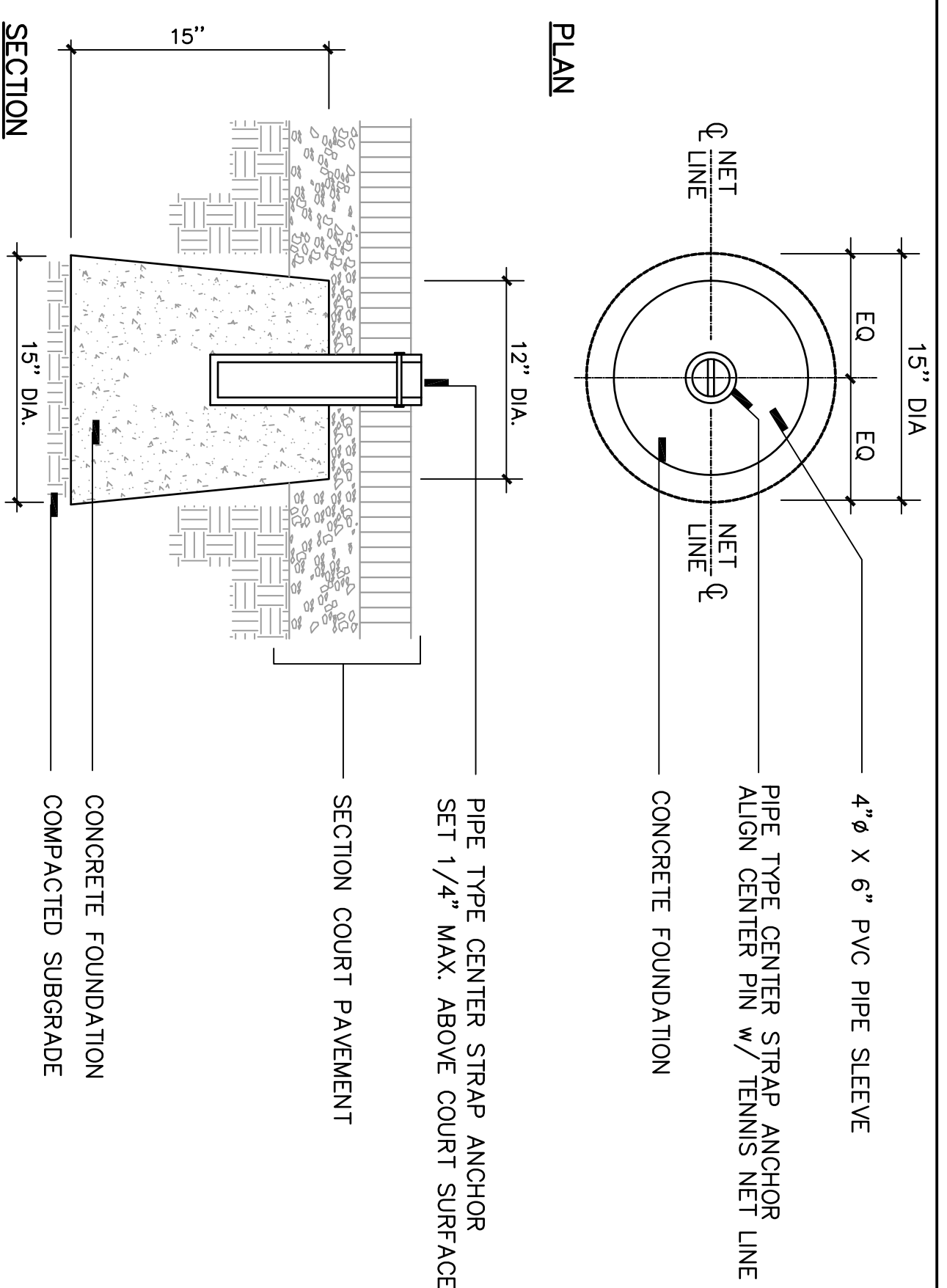


1 60 FOOT QUICKSTART COURT LINE LAYOUT
NOT TO SCALE

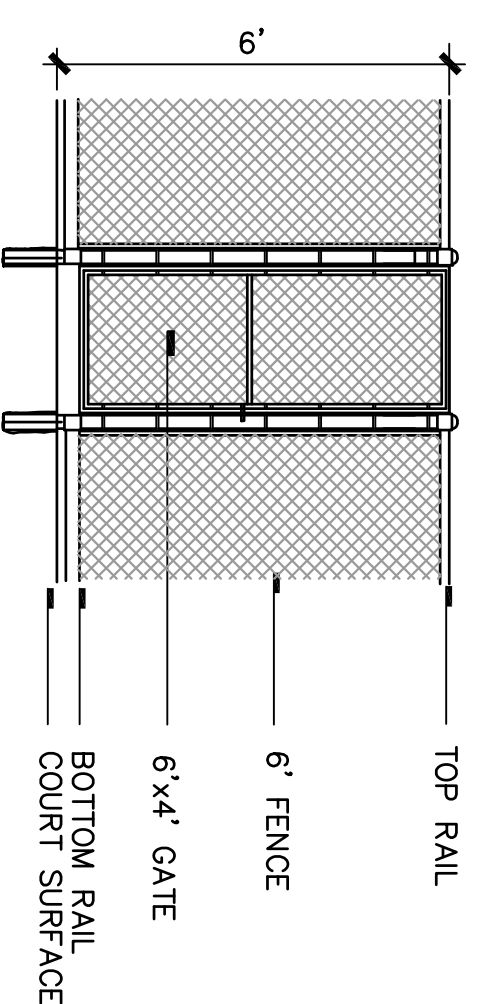
- NOTES:
1. 60' COURT PLAYING LINES SHALL BE WHITE TEXTURED LINE PAINT.
 2. ALL 60' COURT PLAYING LINES SHALL BE 2" WIDE.
 3. ALL 60' COURT PLAYING LINES SHALL BE MEASURED TO THE OUTSIDE EDGE OF THE LINES, WITH THE EXCEPTION OF THE CENTER LINES WHICH SHALL BE MEASURED OUT TO CENTER.
 4. NET POSTS SHALL BE SET 33 FEET APART, MEASURED FROM THE CENTER OF EACH POST. THE NET SHALL MEASURE 42 INCHES AT THE NET POST AND 36 INCHES AT THE CENTER OF THE COURT AND 4. GATE LOCATIONS SHOWN ARE OPTIONAL PER THE COURT AND WILL VARY PER THE LOCAL SITE CONDITIONS.



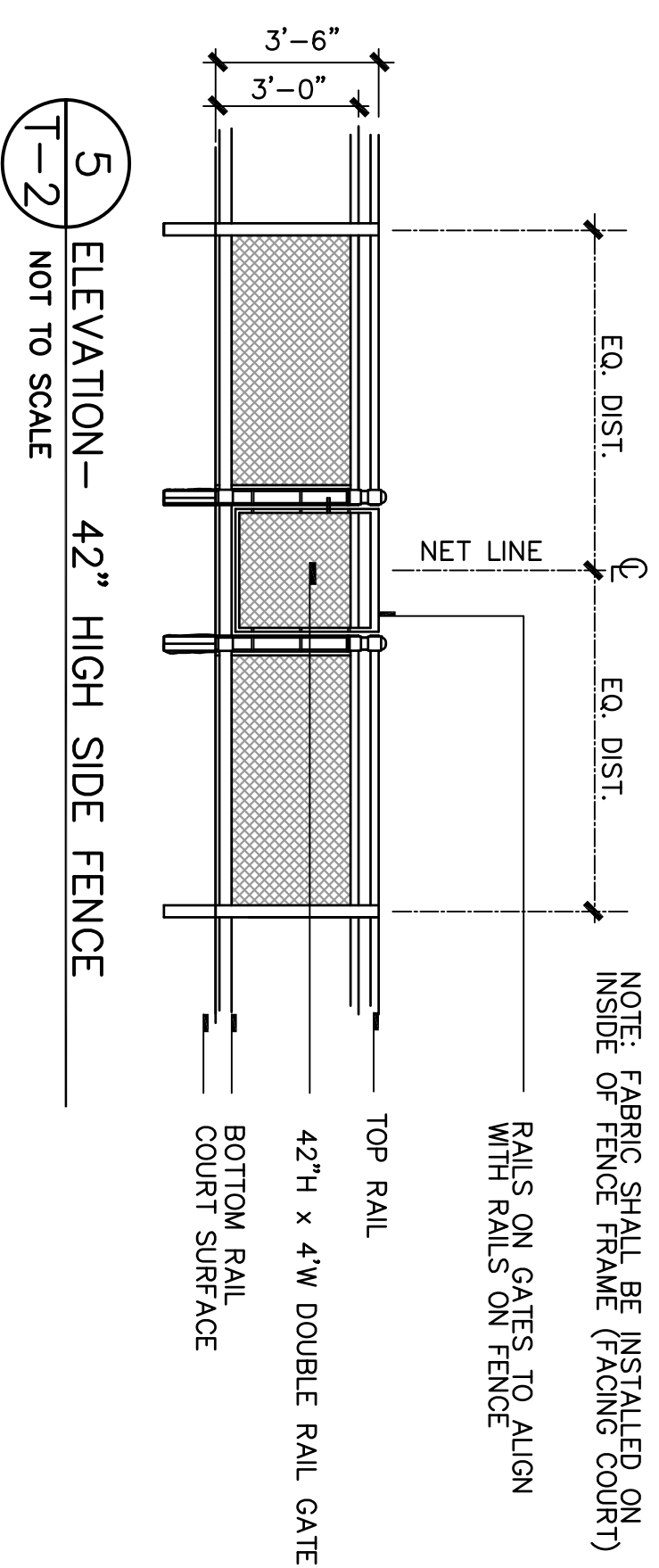
6 SECTION - CONCRETE FENCE POST FOUNDATION
NOT TO SCALE



2 CENTER STRAP ANCHOR DETAIL
NOT TO SCALE



4 TYPICAL ELEVATION - PLAYER ENTRANCE GATE
(INTO 60 FOOT QUICKSTART COURTS)
NOT TO SCALE

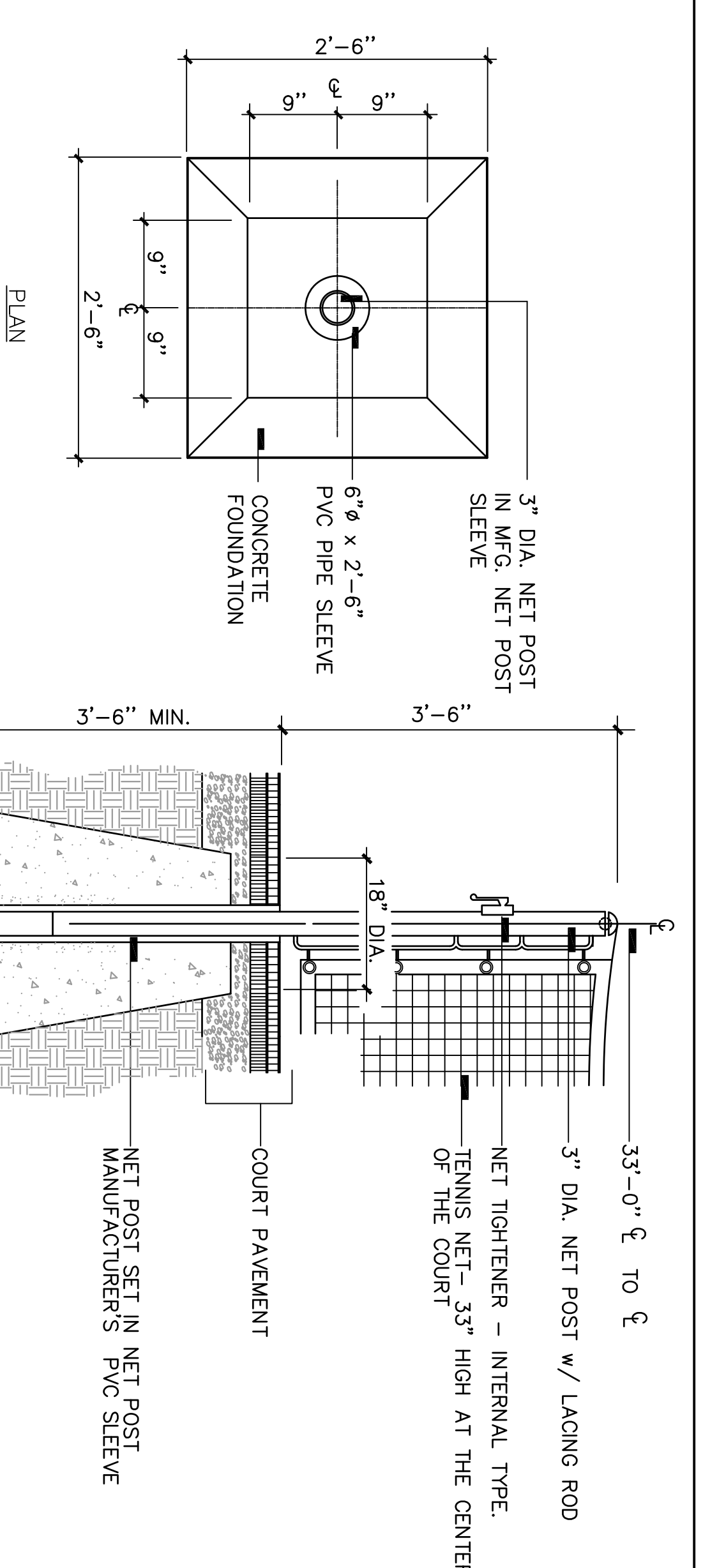


5 ELEVATION - 42" HIGH SIDE FENCE
NOT TO SCALE

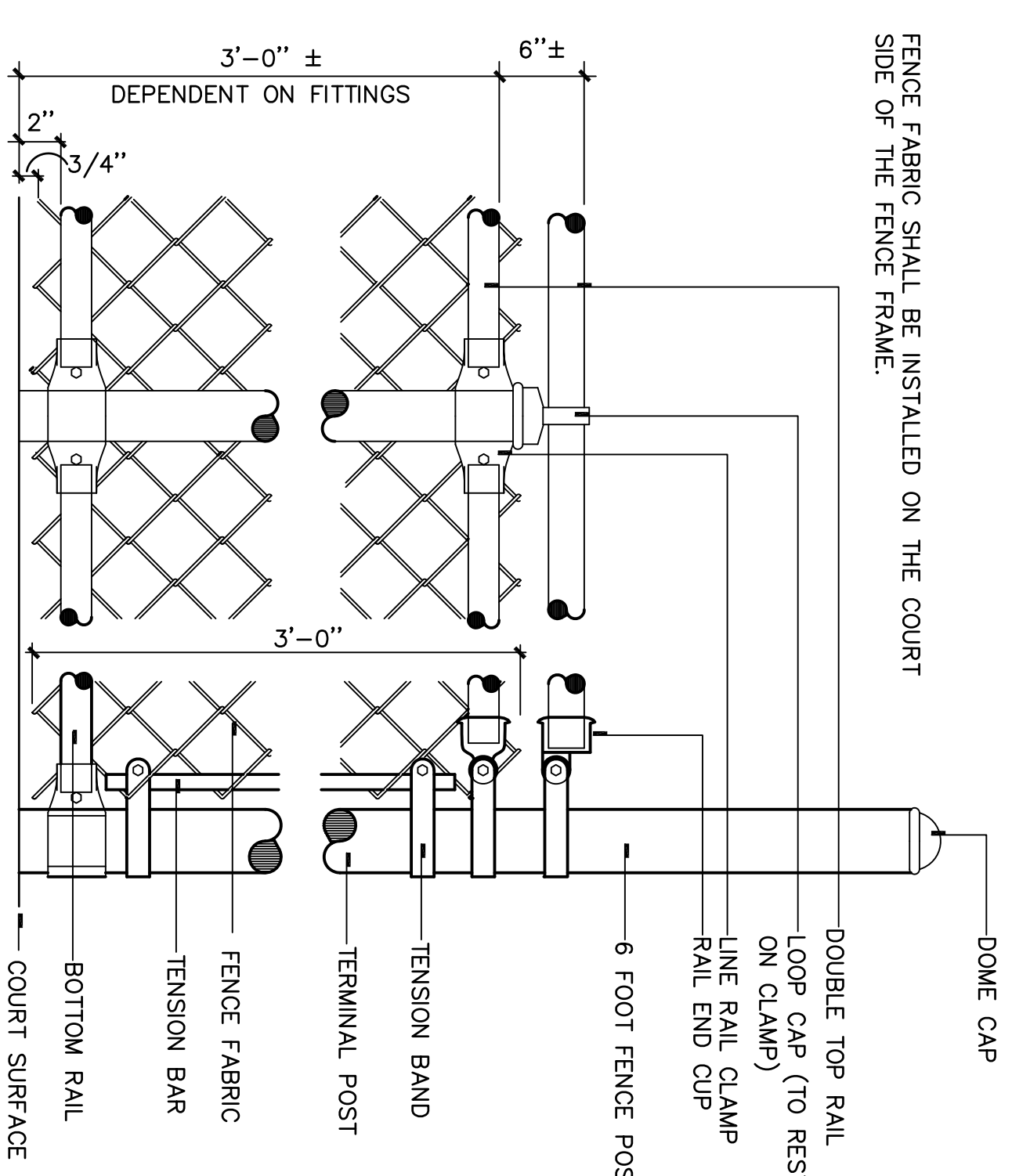
FUNCTION	SYMBOL	APPLICATION
RULES OF THE GAME	1 APPLICATION WHITE TEXTURED LINE PAINT (HAND PAINTED)
ASTHETICS	=====	1 PERPENDICULAR APPLICATION FINE SAND TEXTURE COURSE (TINTED)
PLAYING CHARACTERISTICS	=====	1 APPLICATION FINE SAND TEXTURE COURSE (TINTED)
PLAYING CHARACTERISTICS	=====	1 APPLICATION FINE SAND TEXTURE COURSE (TINTED)
SUBSTRATE PREPARATION	=====	2 APPLICATIONS COURSE SAND FILLER COATS (TINTED RESURFACER)
PAVEMENT SURFACE	=====	PAVEMENT

7 COURT SURFACING SYSTEM
NOT TO SCALE

- NOTE:
1. PRIOR TO PAINTING LINES, PROVIDE ONE COAT OF LINE PRIMER TO SEAL TAPE EDGE FOR CRISP LINE EDGE. WAVY AND/OR FUZZY LINES WILL NOT BE ACCEPTED.



3 NET POST DETAIL - 60 FOOT COURT
NOT TO SCALE



8 ELEVATION ENLARGEMENT OPTIONAL SIDE FENCE
NOT TO SCALE

PROJECT NAME:
10 AND UNDER TENNIS

UNITED STATES TENNIS ASSOCIATION
70 WEST RED OAK LANE
WHITE PLAINS, NEW YORK 10604
DAVID W. LASOTA, TENNIS FACILITY CONSULTANT
VIRGIL CHRISTIAN, DIRECTOR, COMMUNITY TENNIS DEVELOPMENT
(914) 897-2366

DRAWING DATE: NOVEMBER 4, 2010
DRAWN BY: DWL
SCALE: AS SHOWN
CHECKED BY: VHC
60 FOOT COURT DETAILS - NEW CONSTRUCTION